

Ceiling Recessed,  
High Static, Large Air Volume Model  
6-Row Cooling/Heating

**TCRH-4HW-6R-DRC**  
**-Z/P/PW/PC**

**TCRH-4HW-6R-DRE**  
**-Z/P/PW/PE**



**240V**

**Specification**

Unit Size		600	1000	1200	1600	2000
Air Volume l/s	H	328	500	577	768	918
	M	317	483	567	747	890
	L	300	458	545	723	848
Cooling Capacity KW	SH	5.1	7.3	8.8	11.5	14.0
	TH	7.3	9.7	12.3	16.7	21.7
Heating Capacity KW		13.7	19.8	23.8	31.3	38.7
Water Flow l/s		0.35	0.47	0.59	0.8	1.04
W.P.D. kPa		13	4	8	16	33
Input Power W		245	360	402	568	691
Running Current A		1.02	1.57	1.75	2.42	3.03
Noise dB(A)	H	54.0	53.0	55.0	55.5	54.5
	M	53.5	52.0	54.5	55.0	53.5
	L	52.5	51.5	54.0	54.5	52.5
Weight kg (without plenum)		38	44	50	65	78
Weight kg (with plenum)		40	48	56	73	88
Holding Water Volume L		3.6	4.5	5.6	6.5	8.6
Casing		Galvanized Steel				
Fan		Galvanized sheet fabricated, Forward-Curved DIDW Fan				
Motor		3-Speed, PSC with Capacitor Cap and Flexible Conduit				
Power Source		AC240V, 50Hz, Single Phase				
Coil		Slit Surfaced, Aluminum Finned Coil complete with Female Sockets at Inlet/Outlet Conn. And Air Vent				
Operating Pressure		Max 1700kPa (250psig) unless otherwise specified				
Drain Pan		Stainless Steel, SUS430				

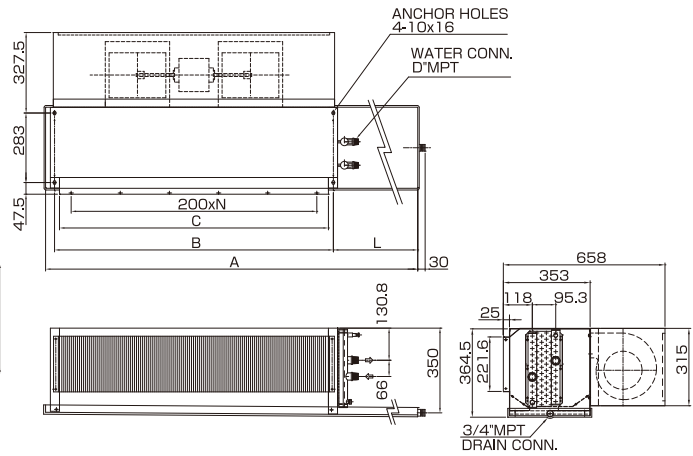
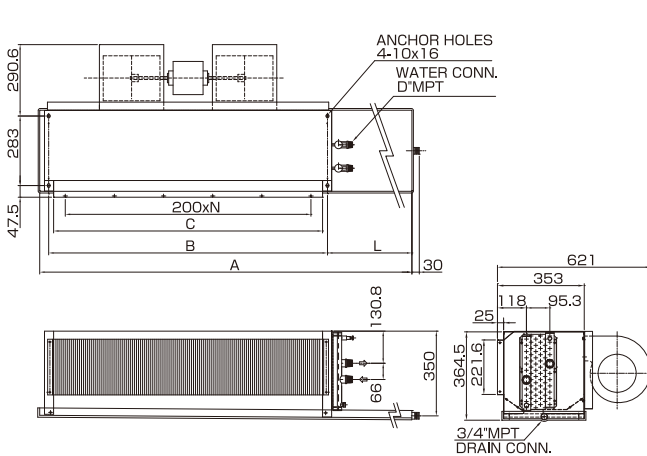
Note:

- Cooling capacity is based on DB24°C, WB17.8°C, EWT7°C, LWT12°C.
- Heating capacity is based on DB20°C, EWT60, same water flow as cooling.
- Cooling/Heating Capacity, Input Power, Running Current are based on H speed.
- Noise is measured at an anechoic chamber, 1m from the unit surface.
- Running current may change according to the conditions.
- Air volume is based on ESP 100Pa.

**Dimensions**

Without Plenum **TCRH-4HW-6R-DRC-Z** **TCRH-4HW-6R-DRE-Z**  
**TCRH-4HW-6R-DRC15-Z** **TCRH-4HW-6R-DRE15-Z**

With Plenum **TCRH-4HW-6R-DRC-P/PW/PC** **TCRH-4HW-6R-DRE-P/PW/PC**  
**TCRH-4HW-6R-DRC15-P/PW/PC** **TCRH-4HW-6R-DRE15-P/PW/PC**



Unit Size	-Z/P/PW/PE/PC		15-Z/P/PW/PE/PC		B	C	N	D	NO. OF FAN	NO. OF MOTOR
	A	L	A	L						
TCRH- 600-4HW-6R-DRC(E)	906	191.4	1056	131.4	690	652	3	1	1	1
TCRH-1000-4HW-6R-DRC(E)	1050	122	1200	272	885	847	4	1	2	1
TCRH-1200-4HW-6R-DRC(E)	1335	157	1485	307	1135	1097	5	1	2	1
TCRH-1600-4HW-6R-DRC(E)	1505	122	1655	272	1340	1302	6	1	3	2
TCRH-2000-4HW-6R-DRC(E)	1935	122	2085	272	1770	1732	7	1-1/4	4	2

Note:

- Right hand unit is shown.
- Furnish access door to service fan motor.
- Wiring works between motor and switch, and unit to power source by contractors.
- Unit shall be mounted horizontally.
- To prevent condensation, fan interlock valve shall be furnished so that water supply will be stopped when fan is off.